



Medusa

Design radiator

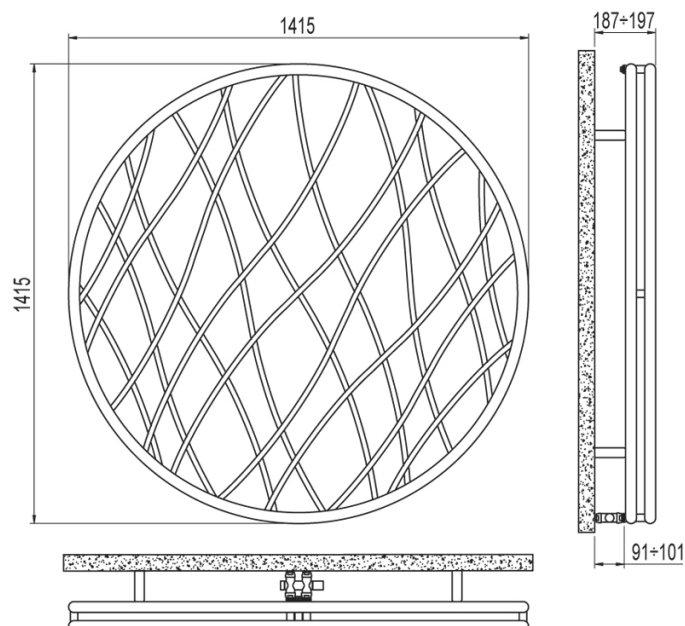
Medusa floats ethereal on the inclined plane of life, as the heat is spread around the room. Round, slender, designed to wind its way through space, Medusa refined forms add value to its surroundings.

Technical features:

- 33,70 mm diameter circular external tubes
- 16 mm diameter undulated steel tubes
- 1/2" Gas right threading
- maximum working pressure 8 bar
- maximum working temperature 95°C

Standard supply:

- straight pattern 50 mm valve and lockshield valve assembly complete with copper fitting (diameters: 10, 12, 14, 15, 16 mm) multilayer (14 thick 2 and 16 thick 2)
- kit of pipe covers (suitable for pipes up to 16 mm thick)
- 4 wall brackets
- air vent



Modello	Codice	Prof. mm	Altezza mm	Largh. mm	Interass. mm	Peso mm	Cal. lt	Watt dt=50°C	Watt dt=40°C	Watt dt=30°C	Watt dt=20°C	Esp.n.
Medusa	MEDAVO1XX	92	1415	1415	50	28.10	8.00	1206	910	633	380	1.261
Medusa	MEDAVO1XX	92	1415	1415	50	28.10	8.00	1206	910	633	380	1.261

XX = colour option.

For dt different from 50°C use the formula: $Q=Q_n (dt / 50)^n$